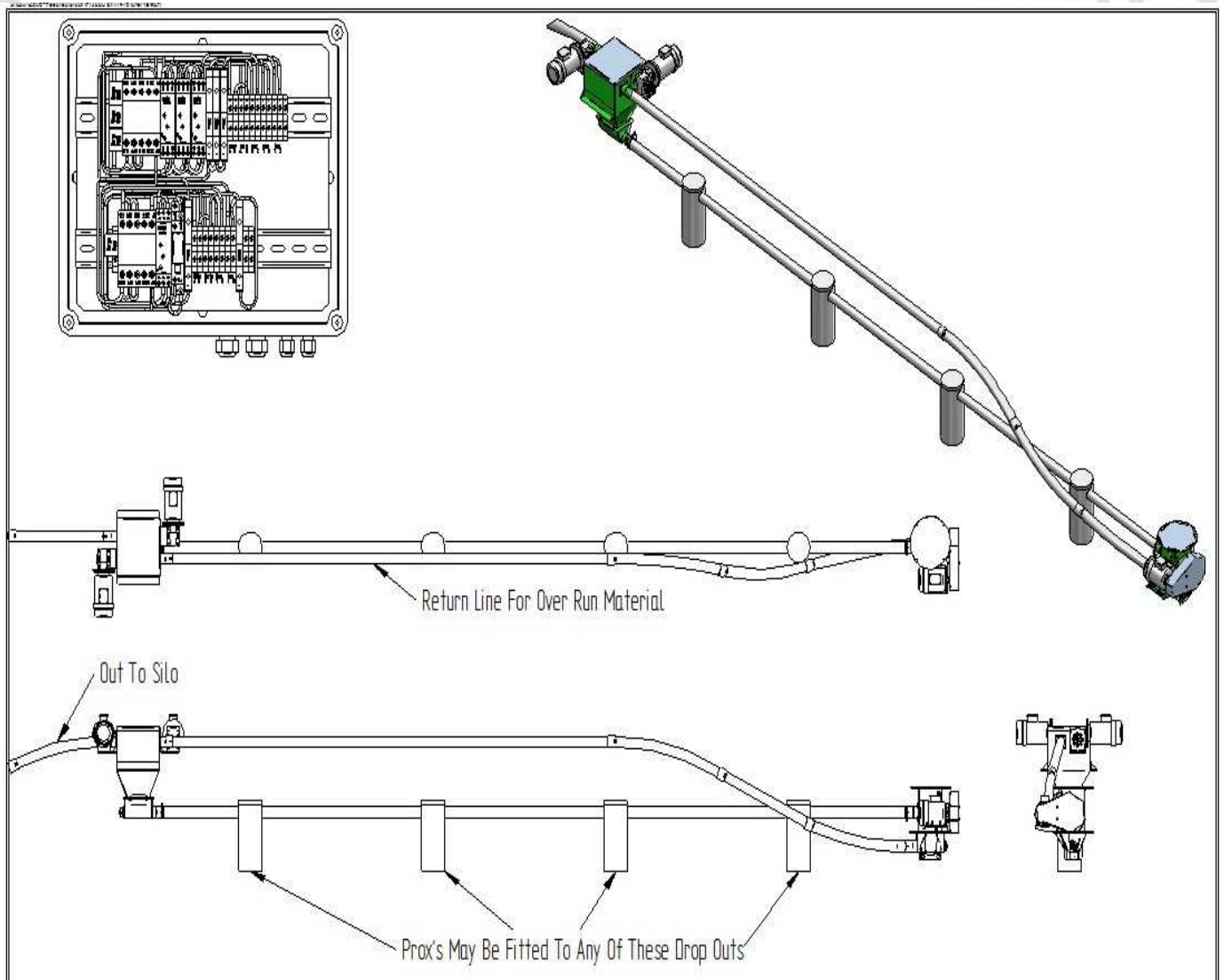


FEEDTECH
FEEDING SYSTEMS

ROBOT MILKING PARLOUR FEED SYSTEM



Feed System for Robot Milking Systems.

This system uses 60mm centreless auger to fill a hopper which then fills into robots up to a prox switch to turn off once filled. Any carry over material then gets carried to a boot which is recirculated back to the fill hopper that is fed from the silo. Controller controls all motors and cut off/on switches.

Available from: